

AC DEU

Self Priming Centrifugal Pump



Diesel Engine Driven

Models PA10A60-6068T *and*
PA10A60-6068T-A

Size 10" x 10"

Total Head		Capacity of Pump in U.S. Gallons per Minute (GPM) at Continuous Performance				
P.S.I.	Feet					
69.4	160	550	550	550	550	550
60.7	140	820	820	820	820	820
52.0	120	1350	1900	2200	2200	2200
43.4	100	1590	2320	2820	3150	3170
34.7	80	1500	2400	2970	3450	3600
26.0	60	1760	2490	3050	3560	3700
17.3	40	1841	2550	3150	3650	3810
8.7	20	1900	2650	3200	3720	3900
Suction Lift		25'	20'	15'	10'	5'



PUMP SPECIFICATIONS

Size: 10" x 10" NPT (254 mm x 254 mm) - Female.
Casing: Gray Iron No. 30. Maximum Operating Pressure 100 psi (7,1 kg/cm²)*.
Open Type, Two Vane Impeller: Ductile Iron No. 65-45-12. Handles 3.25" (82,6 mm) Diameter Spherical Solids.
Impeller Shaft: Stainless Steel No. 17-4 PH.
Replaceable Front Wear Plate: Ductile Iron No. 80-60-03.
Bearing Housing: Gray Iron No. 30.
Seal Plate: Gray Iron No. 30.
Seal: Mechanical, Oil-Lubricated, Double Floating, Self-Aligning. Silicon Carbide Rotating and Stationary Faces. Stainless Steel No. 316 Stationary Seat. Fluorocarbon Elastomers (DuPont Viton® or Equivalent). Stainless Steel No. 18-8 Cage and Spring. Maximum Temperature of Liquid Pumped, 160°F (71°C)*.
** Consult Factory for Applications Exceeding Maximum Pressure and/or Temperature Indicated.*
Discharge Check Valve: Gray Iron No. 30 and Buna-N.
Radial/Thrust Bearing: Open Double Ball.
Bearing Lubrication: Oil.
Flange: 125# Gray Iron No. 30.
Suction Head: Gray Iron No. 30.
Gaskets: Resistant Synthetic Rubber, PTFE, Cork, Vegetable Fiber, and Compressed Synthetic Fibers.
O-Rings: Buna-N.
Hardware: Standard Plated Steel.
Oil Level Sight Gauge.

PA10A60-6068T-A ONLY: Liquid Level Controls: Submersible Transducer* and Electronic Pressure Switch (EPS) Control with Start/Stop Set Point Adjustments for Automatic Filling/Emptying.

* 50 Ft. (15 m) Standard Length; 150 Ft. (46 m) Maximum; Specify Length at Time of Order.

Standard Equipment: Hoisting Bail. Strainer. Skid Base.

Optional Equipment: Battery. G-R Hard Iron Impeller, Seal Plate, and Wear Plate. 4-Wheel Auto Steer with P225/75R15 Pneumatic Tires. Over-the-Road Trailer (Meets D.O.T. and Transport Canada Requirements).



WARNING!

Do not use in explosive atmosphere or for pumping volatile flammable liquids.

ENGINE SPECIFICATIONS

Model: John Deere 6068T "Power Tech".
Type: Six Cylinder, Four Cycle, Turbo-Charged, Liquid Cooled Diesel Engine.
Displacement: 414 Cu. In. (6,8 liter).
Governor: Mechanical.
Lubrication: Forced Circulation.
Air Cleaner: Dry Type.
Oil Reservoir: 20 U.S. Qts. (19 liter) Dry; 19 U.S. Qts. (18 liter) Refill.
Fuel Tank: 171 U.S. Gals. (647 liter).
Full Load Operating Time: 28 Hrs.
Starter: 12V Electric.

Standard Features: Low Oil Pressure and High Coolant Temperature Safety Shut Down Switches. Instrument Panel Includes: Tachometer, Hourmeter, Coolant Temperature Gauge, Oil Pressure Gauge, Vernier Throttle Control, On/Off Key Switch, and Ammeter. Muffler w/Guard and Weather Cap.

JOHN DEERE PUBLISHED PERFORMANCE:
 Maximum Continuous BHP 153 (114 kW) @ 2500 RPM
 Maximum Dynamic BHP 170 (127 kW) @ 2500 RPM



THE GORMAN-RUPP COMPANY • MANSFIELD, OHIO

GORMAN-RUPP OF CANADA LIMITED • ST. THOMAS, ONTARIO, CANADA

Specifications Subject to Change Without Notice

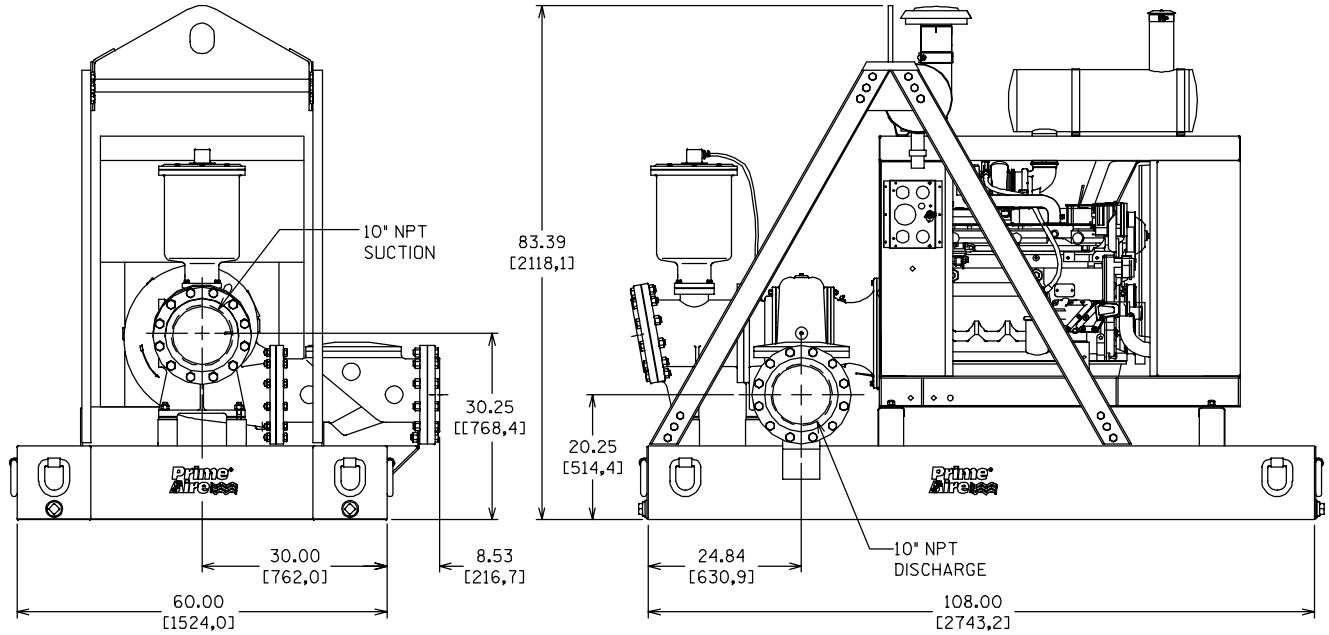
Printed in U.S.A.

Specification Data

SECTION 42, PAGE 1500

APPROXIMATE DIMENSIONS and WEIGHTS

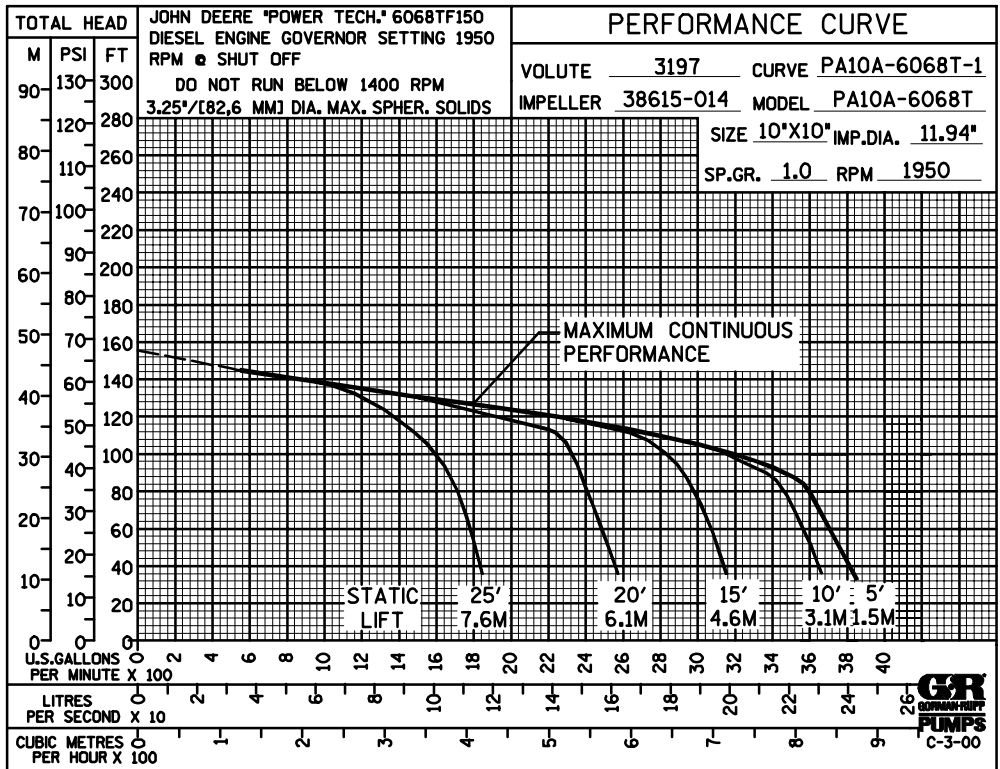
	SKID BASE	4-WHEEL
NET WEIGHT:	4365 LBS. (2252 KG.)	4989 LBS. (2263 KG.)
SHIPPING WEIGHT:	4531 LBS. (2055 KG.)	4989 LBS. (2263 KG.)
EXPORT CRATE SIZE:	294 CU. FT. (8,3 CU. M.)	427 CU. FT. (12,1 CU. M.)



DIMENSIONS:
INCHES
[MILLIMETERS]

POWERED BY: JOHN DEERE
6068T DIESEL ENGINE

PA10A60-6068T SHOWN



THE GORMAN-RUPP COMPANY • MANSFIELD, OHIO

GORMAN-RUPP OF CANADA LIMITED • ST. THOMAS, ONTARIO, CANADA

Specifications Subject to Change Without Notice

Printed in U.S.A.